

# INDIVIDUAL SPECIFICATION SHEET

**Product Name:**汽车插片式保险丝

**Part Number:** AB20Uxxx 80v Series

**Revision:** A



**Dongguan TLC Electronic Technology Co., LTD**

No.18,5th GaoLi Road,TangXia Town,DongGuan,GuangDong,P.R China 523710

TEL: 86-0769-3892 0511

FAX: 86-0769-8793 2077

Http: [www.tlcet.com.cn](http://www.tlcet.com.cn)

| Rev. | Effective Date | Changed Contents |
|------|----------------|------------------|
| A    | 2020-5-29      | New release      |
|      |                |                  |
|      |                |                  |

The individual specification sheet are the property of Dongguan TLC electronic technology Co.,Ltd and shall not be copied or used as commercial purposes without permission.

PREPARED BY

APPROVED BY




1. Scope- The fuses shown are for in motor vehicles, boats and trailers, The fuses shown are for in motor vehicles, Power Supply, boats and trailers, to protect electrical wiring and equipment. This standard is for the construction shown and is not intended to restrict the design and use of other configurations and materials capable of meeting the vehicle requirements.

1. 范围-所显示的熔断器是用于汽车, 船和拖车, 电源等上保护电气线路和设备。本标准是按展示设计, 不是限制设计使用在其它结构和能够满足要求车辆。

2. Definition- A fuse is a device designed to interrupt the electrical circuit when subjected to overcurrents. This action is to be nonreversible and the fuse is intended to be replaced after the circuit, malfunction has been corrected.

2. 解说-保险丝设计目的在于保护电气线路, 当经受超量电路流时保护。这个动作是不可逆的熔丝断后 需要更换, 故障得到纠正。

3. Application file:

Complies with: The standard wage IS08820-3/ UL 248 Special Purpose Fuse

3. 适用文件:

符合: IS08820-3/UL 248 熔断器标准;

4. Ampere :

RATING AND FUSE COLOR CODE-TABLE 1

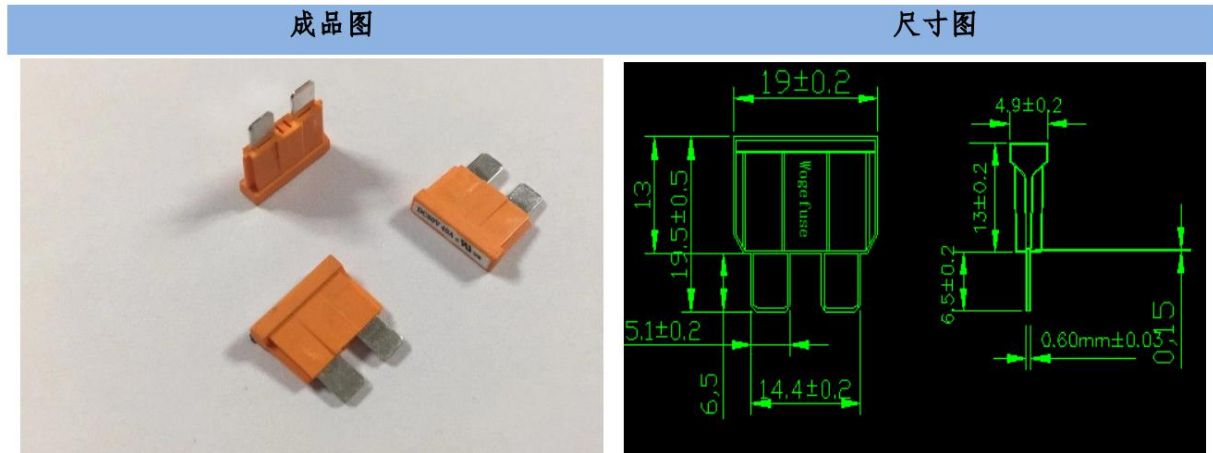
4. 安培 : 额定值和保险丝颜色代码 - 表1

TABLE 1/表1

| Material number<br>物料编号 | Ampere rating<br>额定值 | Color<br>颜色  | Volt<br>电压        | Safety regulations<br>安规 |
|-------------------------|----------------------|--------------|-------------------|--------------------------|
| AB20U001                | 1                    | Dark grey深灰色 | 80V DC<br>125V AC | ●                        |
| AB20U002                | 2                    | Grey/灰色      |                   | ●                        |
| AB20U003                | 3                    | Violet /紫色   |                   | ●                        |
| AB20U004                | 4                    | Pink /粉红色    |                   | ●                        |
| AB20U005                | 5                    | Tan /黄褐色     |                   | ●                        |
| AB20U07.5               | 7.5                  | Brown /棕色    |                   | ●                        |
| AB20U010                | 10                   | Red /红色      |                   | ●                        |
| AB20U015                | 15                   | Blue/蓝色      |                   | ●                        |
| AB20U020                | 20                   | Yellow/黄色    |                   | ●                        |
| AB20U025                | 25                   | Clear/白色     |                   | ●                        |
| AB20U030                | 30                   | Green/绿色     |                   | ●                        |
| AB20U035                | 35                   | Purple/深紫色   |                   | ●                        |
| AB20U040                | 40                   | Orange/橙色    |                   | ●                        |

5. Size-TABLE 2 TABLE/

5. 尺寸: 表 2



6. Material-Materials of the fuse are in accordance with TABLE 3

6. 保险丝材料 表 3 TABLE 3/表 3

| Division                           | Material                                 |
|------------------------------------|--|
| Housing<br>塑料外壳                    | polybutylene terephthalate<br>聚对苯二甲酸丁二醇酯 |
| Fuse-element and terminal<br>熔丝和端片 | Copper<br>银铜合金                           |

7. performance-performance of use is in accordance with TABLE 4

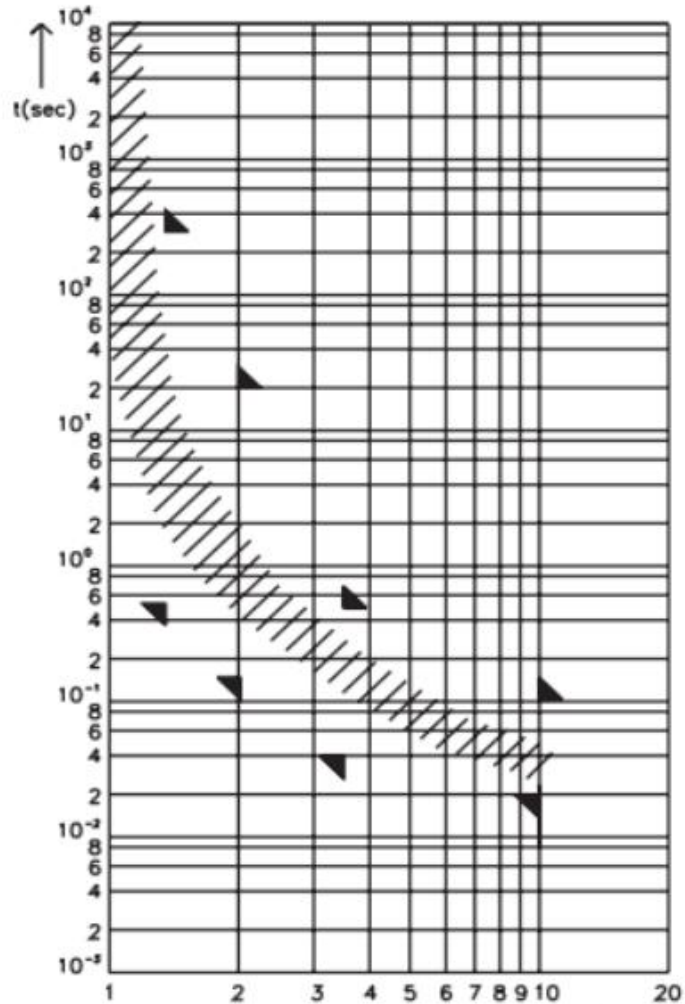
7. 使用性能 表 4 TABLE 4/表 4

| Test current<br>额定值百分比 | Rated current<br>额定电流 | Operating time<br>工作时间 |                |
|------------------------|-----------------------|------------------------|----------------|
|                        |                       | MIN                    | MAX            |
| 110%                   | 1-40                  | 360,000s/-             | No requirement |
| 135%                   | 1-40                  | 0.50s                  | 300s           |
| 200%                   | 1-40                  | 0.15s                  | 20s            |
| 350%                   | 1-40                  | 0.04s                  | 0.5s           |
| 600%                   | 1-40                  | 0.02s                  | 0.1s           |

8.AB19 Diagram

8. AB19 曲线图 TABLE 5/表 5

### Pre-arcing Time-limits



9. Mark:

Each fuse inserting piece shall be marked with:

- (1) the amount of rated current
- (2) rated voltage;
- (3) the trademark;

9. 标记:

每个保险丝片应标有:

- 额定电流;
- 额定电压;
- 企业商标;

10. Conventional packing:

@ minimum package for: 500PCS

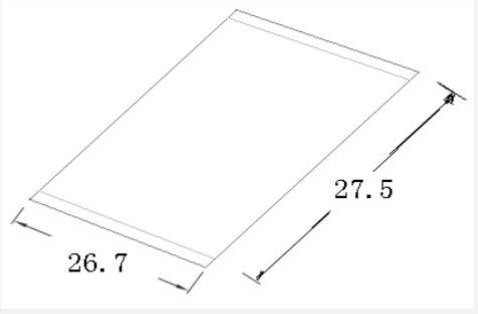
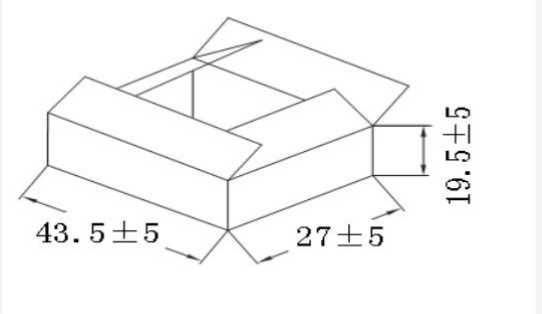
@ a box for 20\*500=10000PCS box specifications: 43.5\*27\*19.5CM;

### 10.传统的包装:

“最小包装为: 500 个

“一箱为  $20 \times 500 = 10000$  个, 箱规格:  $43.5 \times 275.5 \times 19.5$  厘米;

单位: 厘米 / Unit: CM

| A. Plastic bags:  | B. Outer carton:   |
|---|--|
| L $27.5240 \pm 2$ * W $26.5170 \pm 2$   | L $43.5 \pm 5$ * W $27 \pm 5$ * H $19.5 \pm 5$                                     |
|  |  |